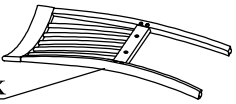
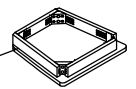



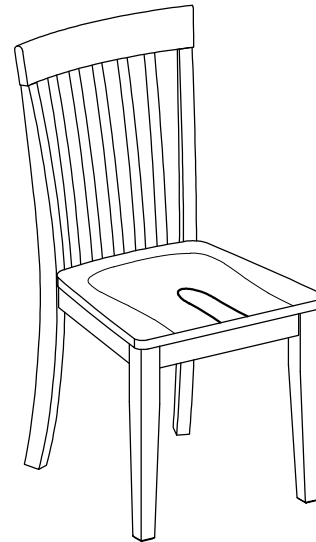
ASSEMBLY INSTRUCTIONS

SB001WAWK



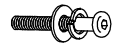

Thank you for purchasing this quality product. It has been designed for assembly so please follow the assembly instructions below carefully.

PARTS CHECK LIST

No.	PART NAME	Q' TY
1	 Chair Back	1
2	 Seat Frame	1
3	 Front Leg	2



HARDWARE

ITEM	DESCRIPTION	Q'TY
A	 Allen Bolts (5/16"*1-9/16") Spring Washer (8mm) Flat Washer (8*19*2mm)	2
B	 Allen Bolts (5/16"*3") Spring Washer (8mm) Flat Washer (8*19*2mm)	4
C	 Allen Bolts (5/16"*2-1/2") Spring Washer (8mm) Flat Washer (8*19*2mm)	4
D	 Allen Key (4*30*80mm)	1

